

# iCAM D1000

IRIS & FACE CAPTURE SYSTEM



Iris ID Systems has been the key developer and driver of the commercialization of iris recognition technology since 1997. IrisAccess®, now in its sixth generation, is the world's leading deployed iris recognition platform. In thousands of locations, IrisAccess® authenticates the iris identity of more persons than all other iris platforms combined. Iris ID's rich experience in iris recognition is exemplified in the iCAM D1000.

The Iris ID Systems iCAM D1000 product line provides a high quality standards compliant iris and face capture solution. iCAM D1000 devices are fully backward compatible with the complete line of iCAM series devices. Iris ID continues to protect our customers and enhance our product line by maintaining support for previous generations of products. The iCAM D1000 allows for easy integration with virtually any identity dependent application.

Iris ID's engineering and design teams have further enhanced the user experience of the iCAM D1000 device. This unique device provides for easy quick and high quality simultaneous capture of ISO compliant iris and face images. Iris ID's biometric solutions provide highly accurate, non-contact identification from about a meter away while delivering security, convenience, privacy and productivity to millions of people around the world.

Fully automatic dual iris image capture and quality analysis routines are available as part of the Iris ID Device Control SDK for integration of the iCAM D1000. Iris ID's iData SDK runtime license for iris enrollment, matching and quality assessment is available for use with the IrisAccess iCAM D1000 subsystem.

## Features

- Intuitive User Interface with Real-Time Visual Feedback
- Long Capture Range For Face and Iris (75cm  $\pm$ 25cm)
- Auto Zoom & Auto Focus Iris Cameras
- High Quality Image Capture
- Automatic Face Illumination
- On Board Encoding & Matching (option)
- Integrated Floor Stand

## Benefits

- Stand-off Identification up to 75cm  $\pm$ 25cm away
- Easy to Use - Ideal for Casual Users
- Ultra High Speed Simultaneous Iris & Face Capture
- Enrollment and Face Images Captured at Same Distance
- Standards based Multimode Iris & Face Capture (ISO, ICAO)
- Ideal for Enrollment or Authentication



iCAM D1000

# Technical Specifications for iCAM D1000

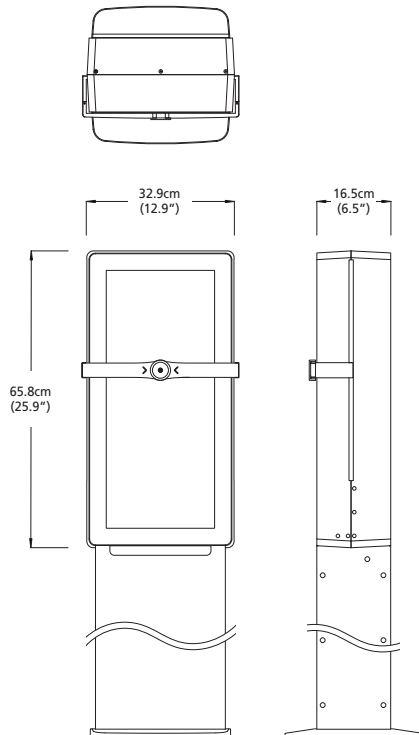
## Technical Overview

The iCAM D1000 contains an optical system designed to operate with the integrated high-speed multi-sensor iris imager array. The iCAM D1000 will automatically process and outputs high quality ISO standards compliant iris images of a subject in less than one second.

### iData iCAM D1000 SDK

Iris ID provides an SDK to enable all functions of the iCAM D1000. The development environment and functionality of the SDK for the iCAM D1000 module closely mimics those of the widely deployed iData SDK for the IrisAccess series cameras. Application developers will find integration to be very simple and robust.

### Mechanical Drawing



### Hardware Features

Model Type	Stand-Off Optical Unit with Embedded PC
Operation	COM SDK Connected to PC Capture Iris and/or face images Iris image transfer (ISO 19794-6) Face image Transfer (ISO 19794-5) Iris Recognition - Iris ID Matching Algorithm (optional)
Capture Time	Less than 2-3 seconds for Dual Iris & Face Capture
User Prompt	Mirror, Multicolor LED indicator
Height	150-200cm (4.9'-6.5')

### Unit Dimensions

Dimensions (W x H x D)	329mm x 1082mm x 165mm (12.95" x 42.60" x 6.5")
Weight	30kg (66.14lb)

### Optics

Iris	Iris Camera with Dual Band NIR illumination Minimum 200 pixels/cm Iris in Operating Range (750 ±250mm)
Face	5 MP Face camera ICAO full frontal compliant Motion detection available

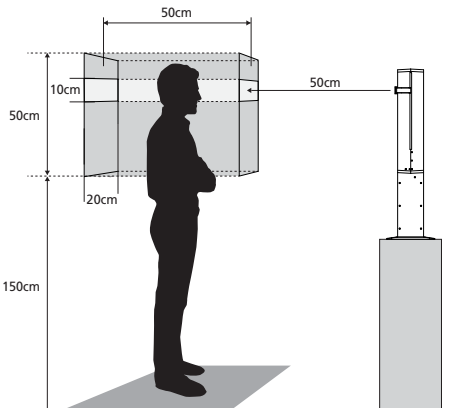
### Interface

SDK	Iris ID iCAM Device Control SDKCPU Intel i5-3317U
Storage	4GB memory and 32GB storage
Connectivity	10/100 Base-T Ethernet (RJ-45) Power Source 100-240VAC power supply Max power consumption: 200W

### Application S/W

Algorithm	IrisCapture™ EYeness™ FaceDetect™ EyeDetect™ Iris ID Velocity Measurement
-----------	---

### Capture Volume



### Operating Environment

Operating Range	750 ±250mm
Capture Volume	200 x 500 x 500mm (W x H x D)
Operating Temperature	32°F-113°F (0°C-45°C)
Storage Temperature	-4°F-203°F (-20°C-95°C)
Humidity	5-95% non-condensing

**Aditech Ltd.**  
Unit 7  
Midshires Business Park  
Smeaton Close, Aylesbury  
Bucks, HP19 8HL  
UK

Tel: +44 (0)1296 398085  
Fax: +44 (0)1296 337755

sales@aditech.co.uk  
www.aditech.co.uk



**Iris ID Systems, Inc.**  
8 Clarke Drive, Cranbury, NJ 08512, USA  
Tel. 609-819-IRIS(4747) Fax. 609-819-4736  
www.irisid.com

formerly  LG IRIS

